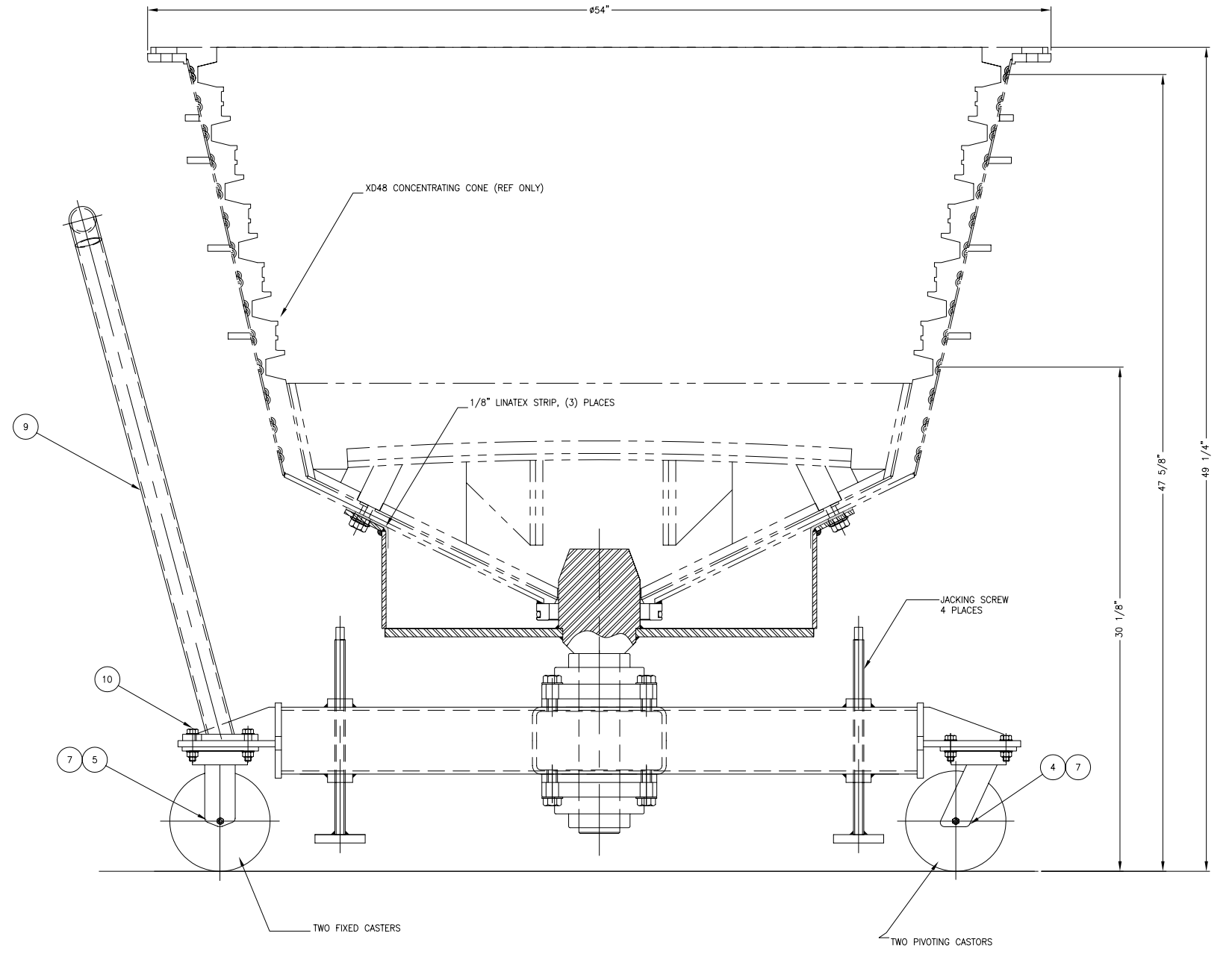
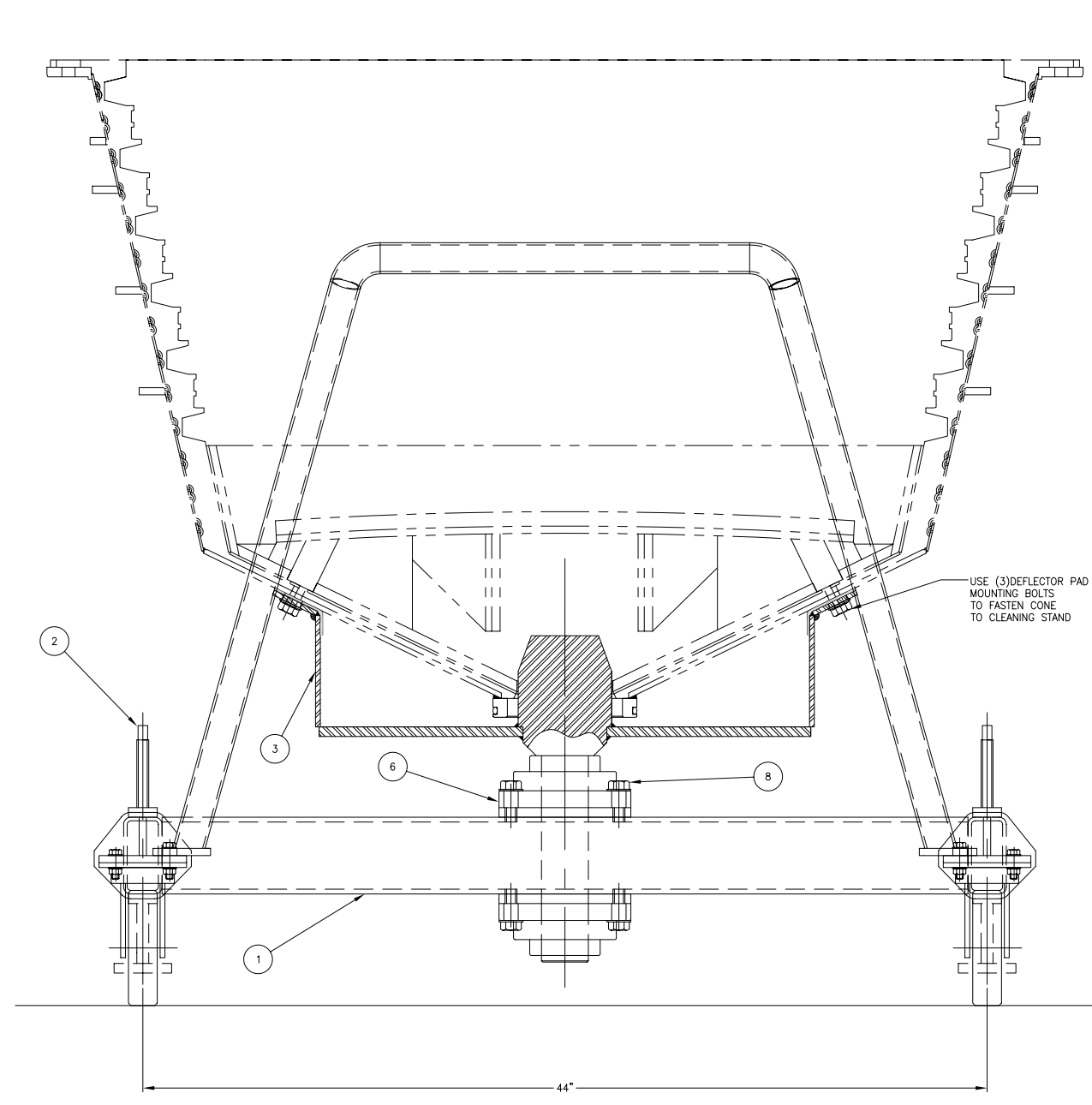


TITLE: KC-XD48 V.A ROTARY CONE CLEANING STAND				DWG. No. 04727-01	REV. 1	
REQUIRED	ITEM	DESCRIPTION	MFG. PART NO.	MATERIAL	PART NO.	WT
	A	CONE CLEANING STAND ASSEMBLY			23187	306.9
	1	LOWER FRAME			23188	144.5
	4	JACKING SCREW			23189	8.16
	1	ROTOR			23190	142.2
	2	4 SWIVEL CASTER: 6" DIA, 900 LBS. LOAD RATING, C/W BRAKE			72007	3
	2	5 FIXED CASTER: 6" DIA, 900 LBS. LOAD RATING			72008	3
	2	6 BALL BEARING, UCF212-207D1, NTN, 2 7/16" DIA			71244	3
	12	7 HEX.BOLT: 3/8" UNC X1" LG. C/W FLAT & LOCK WASHER & NUT		GR-5		
	8	8 HEX.BOLT: 5/8" X 2" LG. C/W LW.		GR-5		
	1	9 HANDLE			23191	7.9
	4	10 HEX.BOLT: 3/8" UNC X1 1/2" LG. C/W F. & L. WASHER & NUT		GR-5		



REV	BY	DATE	DESCRIPTION OF REVISION
△	F.T	06/04/2008	ADDED HANDLE AND BOLTS
△	F.T	05/13/2008	ADDED BOM & GEN. UPDATES
UNLESS OTHERWISE SPECIFIED, TOLERANCES ARE TO BE:			
THIS DRAWING & ALL INFORMATION HEREON IS CONFIDENTIAL AND IS THE PROPERTY OF KNELSON CONCENTRATORS AND MAY NOT BE COPIED IN ANY WAY DETRIMENTAL TO THEIR INTERESTS			
125 X" = ± 2 X.X" = ± 0.5" X.XX" = ± 1/32" .XX" = ± 0.01 .XXX" = ± 0.005" Xmm = ± 1mm .XXmm = ± 0.05mm		TITLE: KNELSON CONCENTRATOR MODEL KC-XD48 VERTICAL AXIS ROTARY CONE CLEANING STAND Knelson (a corporate partnership) 19855-9B Avenue, Langley B.C. Canada, V1M 2X5 Phone: (604)888-4015, Fax: (604)888-4013 www.knelson.com, e-Mail: knelson@knelson.com	
STARTING S/N :	PROJECT :	CUST No:	SIZE DWG. NO.
AUTHORIZED BY :	DWG. BY : F.T	DATE : 04/09/2008	D 04727-01
CHK BY : E.Z	REV. BY :	SCALE : 3"=1'0"	REV. 1