



KNELSON GRAVITY SOLUTIONS

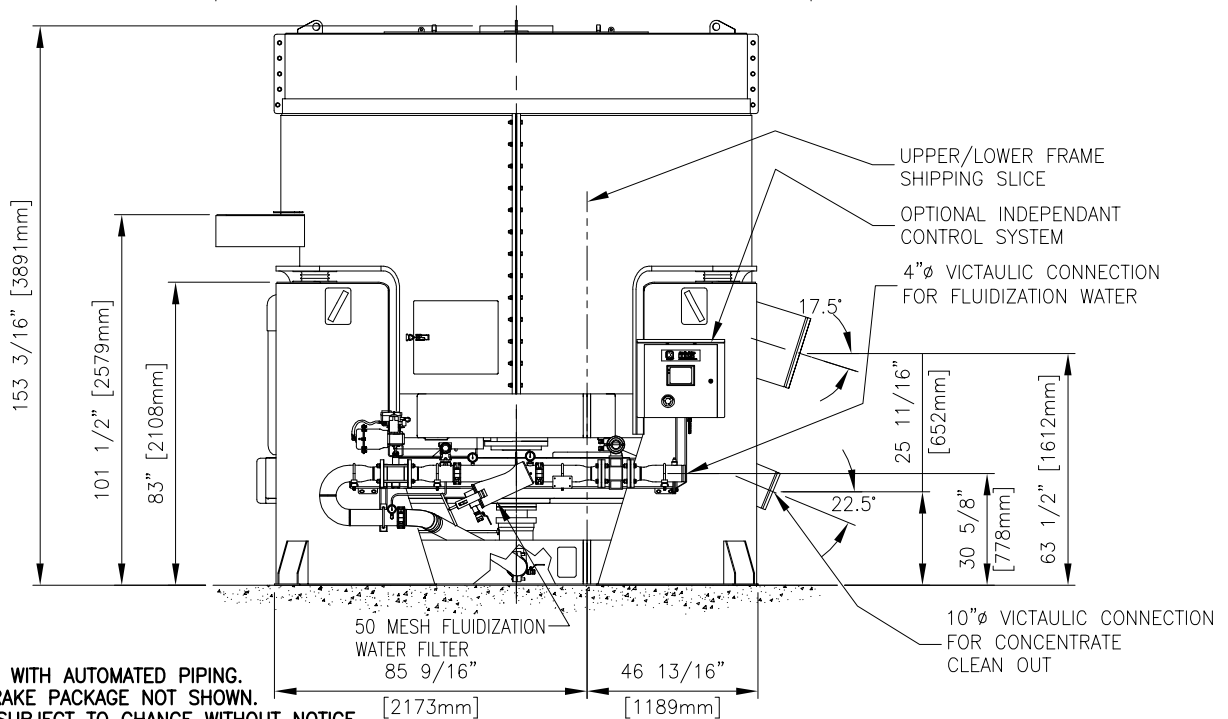
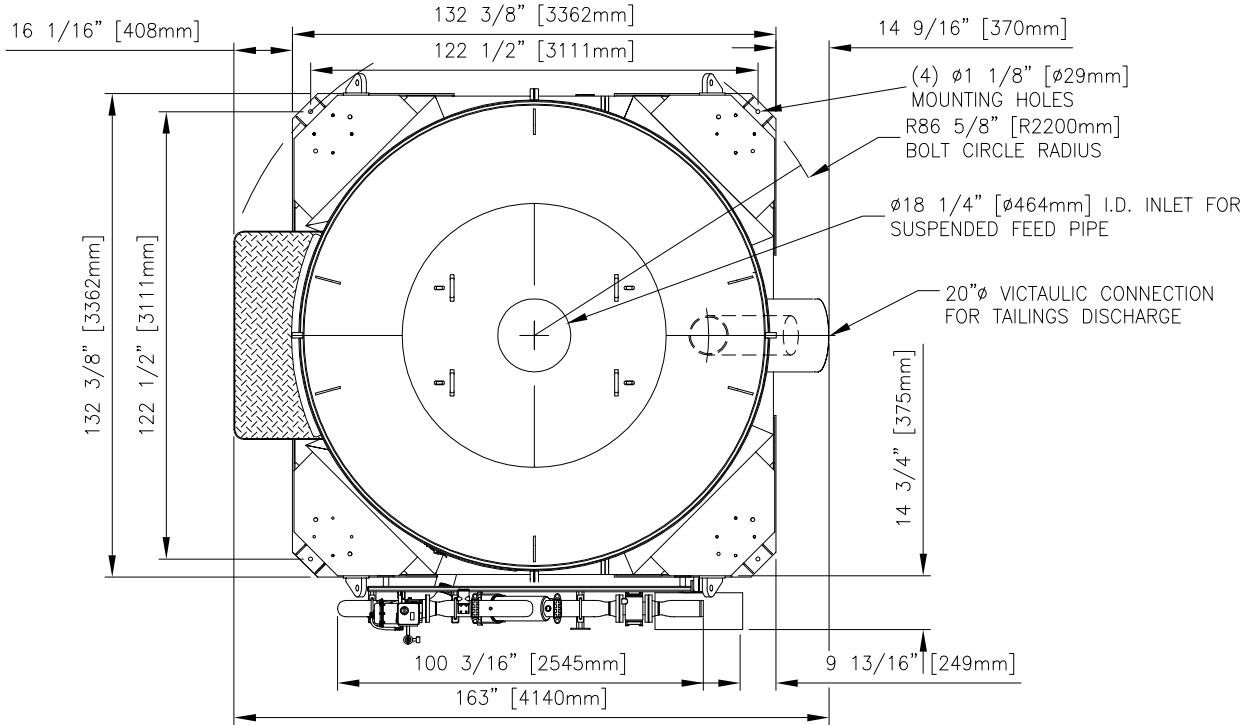
(A division of Knelson, a corporate partnership)
 19855-98 Avenue, Langley B.C. Canada, V1M 2X5
 Phone: (604)888-4015, Fax: (604)888-4013
 www.knelsongravitysolutions.com, e-Mail: knelson@knelson.com

DATE: OCT 06, 2008

DWG. No. 03533E2

KNELSON CONCENTRATOR MODEL KC-XD70[MS] SPECIFICATION SHEET

- SOLIDS FEED CAPACITY (MAY VARY DEPENDING ON MATERIAL) - 330-715 tons/hr [300-650 tonnes/hr] SOLIDS (1000 T/HR MAX)
 TYPICAL FLUIDIZATION WATER REQUIREMENT - 200 - 350 USgpm [45 - 80 m³/hr]
 MINIMUM AIRFLOW REQUIRED (AUTO PIPING ONLY) - 3ft³/min (5.1m³/hr)
 FEED DENSITY - 0 - 75% SOLIDS/WEIGHT
 MAX TOTAL VOLUMETRIC THROUGHPUT - 4000 USgpm [910 m³/hr]
 FEED SIZE - MAX: 1/4" [6mm]; RECOMMENDED: MINUS 10 MESH [1.7 mm]
 TYPICAL CONCENTRATION CYCLE DURATION - HARD ROCK : 1/2 - 4 hrs [PLACER : 4 - 12 hrs]
 TYPICAL FLUSH CYCLE DURATION - 2 - 3 MINUTES
 APPROX. CONCENTRATE VOLUME / WEIGHT - 4950 in³ [81L] / 360 - 480 Lbs [162 - 219 Kgs.]
 APPROX. INSTALLATION WEIGHT OF CONCENTRATOR - 40,600 Lbs [18,455 Kgs.]
 H.P. - 200-500 (ELECTRIC) [150-375 kW]
 APPROX. SHIPPING DIMENSIONS - BASED ON DESTINATION (DISASSEMBLED IF CONTAINERIZED)



NOTE:

- MACHINE SHOWN WITH AUTOMATED PIPING.
- VFD/DYNAMIC BRAKE PACKAGE NOT SHOWN.
- SPECIFICATIONS SUBJECT TO CHANGE WITHOUT NOTICE.
- ALL PIPING TO CONCENTRATOR TO BE FLEXIBLE TO ALLOW FOR SLIGHT OSCILLATION OF UNIT DURING OPERATION.