



KNELSON GRAVITY SOLUTIONS

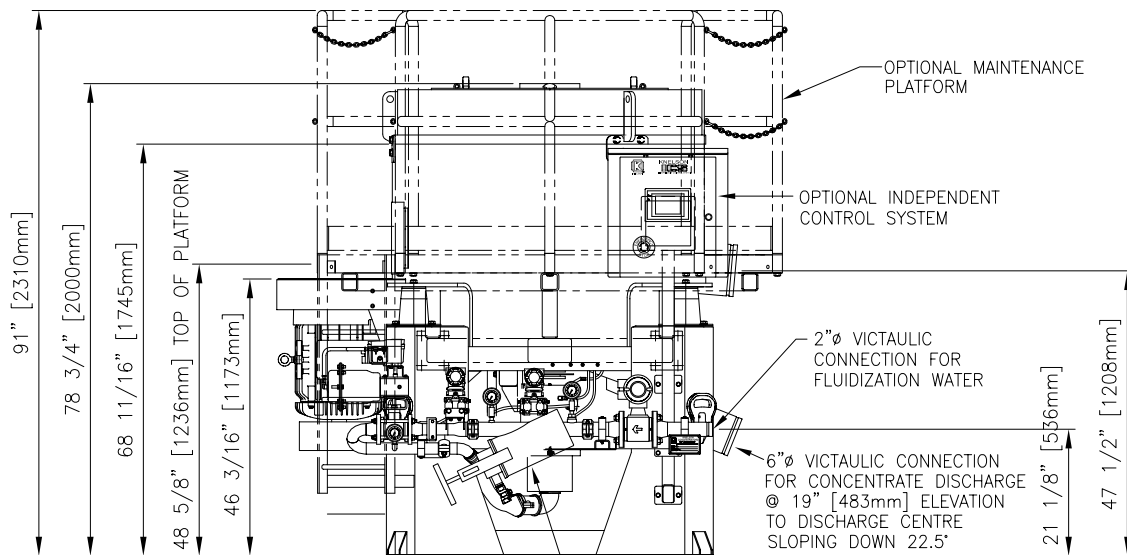
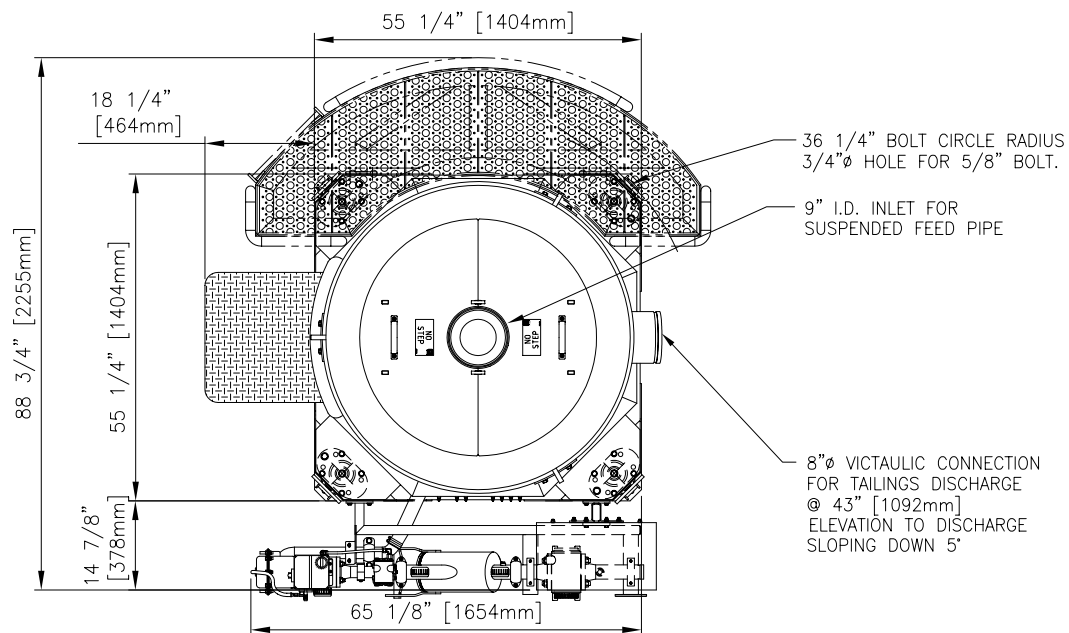
(A division of Knelson, a corporate partnership)
 19855-98 Avenue, Langley B.C. Canada, V1M 2X5
 Phone: (604)888-4015, Fax: (604)888-4013
 www.knelsongravitysolutions.com, e-Mail: knelson@knelson.com

DATE: APR 26, 2010

DWG. No. 03354F3

KNELSON CONCENTRATOR MODEL KC-XD30VG SPECIFICATION SHEET

- FEED CAPACITY (MAY VARY DEPENDING ON MATERIAL) — 83 – 165 tons/hr [75 – 150 tonnes/hr] SOLIDS
 TYPICAL FLUIDIZATION WATER REQUIREMENT — 75 – 110 USgpm [17 – 25 m³/hr]
 MINIMUM AIRFLOW REQUIRED (AUTO PIPING ONLY) — 3 ft³/min [5.1 m³/hr]
 FEED DENSITY — 0 – 75% SOLIDS/WEIGHT
 MAXIMUM TOTAL VOLUMETRIC THROUGHPUT — 900 USgpm [205 m³/hr]
 FEED SIZE — MAX: 1/4" [6mm]; RECOMMENDED: MINUS 10 MESH [1.7mm]
 TYPICAL CONCENTRATION CYCLE DURATION — HARD ROCK: 1/2 – 4 HOURS [PLACER: 4 – 12 HOURS]
 TYPICAL FLUSH CYCLE DURATION — 1 – 2 MINUTES
 CONCENTRATE VOLUME — 780 in³ [13 L]
 CONCENTRATE WEIGHT — 45 – 60 lbs [20 – 27 kg]
 CONCENTRATOR NET WEIGHT — 4100 lbs [1860 kg] (NOT INCLUDING PIPING)
 H.P. — 15 – 30 (ELECTRIC) [11 – 22 kW]
 APPROXIMATE SHIPPING WEIGHT — 4160 lbs [1887 kg]
 APPROXIMATE SHIPPING WEIGHT WITH SPARES — 4450 lbs [2018 kg]
 APPROXIMATE CRATED SHIPPING DIMENSIONS — LENGTH 224cm x WIDTH 209cm x HEIGHT 212cm



NOTE:

- SPECIFICATIONS SUBJECT TO CHANGE WITHOUT NOTICE.
- ALL PIPING TO CONCENTRATOR TO BE FLEXIBLE TO ALLOW FOR SLIGHT OSCILLATION OF UNIT DURING OPERATION.
- MACHINE SHOWN WITH OPTIONAL AUTOMATED PIPING, MANUAL PIPING ALSO AVAILABLE
- VARIABLE FREQUENCY DRIVE REMOTE MOUNTED (NOT SHOWN): APPROXIMATE SHIPPING DIMENSIONS 30" W x 36" H x 18" D