



KNELSON GRAVITY SOLUTIONS

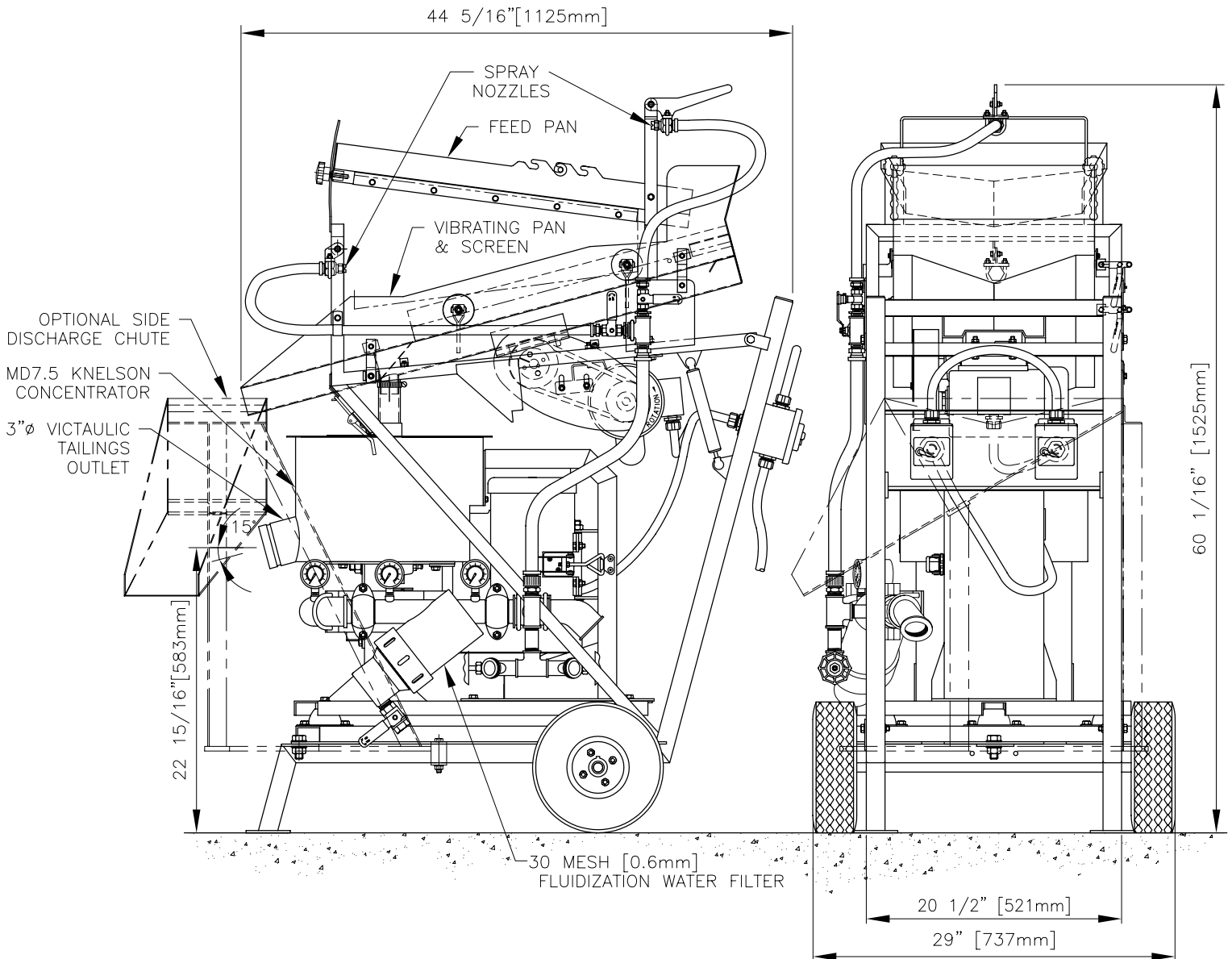
(A division of Knelson, a corporate partnership)
 19855-98 Avenue, Langley B.C. Canada, V1M 2X5
 Phone: (604)888-4015, Fax: (604)888-4013
 www.knelsongravitysolutions.com, e-Mail: knelson@knelson.com

DATE: MAY 3, 2007

DWG. No. A01528E1

KNELSON CONCENTRATOR MODEL KC-MD7.5 c/w VIBRATING SCREEN MODEL KC-VS7.5 SPECIFICATION SHEET

FEED CAPACITY (MAY VARY DEPENDING ON MATERIAL)	- 0 - 1500 lbs/hr [0 - 680 kg/hr] SOLIDS
TYPICAL FLUIDIZATION WATER REQUIREMENT	- 12 - 18 USgpm [45 - 68 Lpm]
FEED DENSITY	- 0 - 75% SOLIDS/WEIGHT
MAXIMUM TOTAL VOLUMETRIC THROUGHPUT	- 25 USgpm [95 Lpm]
FEED SIZE	- 3/16" [4.7mm] MINUS
TYPICAL CONCENTRATION CYCLE DURATION	- HARD ROCK: 2 - 6 HOURS [PLACER: 8 - 24 HOURS]
CONCENTRATE VOLUME	- 42 in ³ [0.7 L]
CONCENTRATE WEIGHT	- 2.2 - 3.0 lbs [1.0 - 1.4 kg]
CONCENTRATOR NET WEIGHT	- 283 lbs [129 kg]
VIBRATING SCREEN NET WEIGHT	- 152 lbs [69 kg]
CONCENTRATOR H.P.	- 3/4 (ELECTRIC)
VIBRATING SCREEN H.P.	- 1/3 (ELECTRIC)
APPROXIMATE SHIPPING WEIGHT	- 596 lbs [271 kg]
APPROXIMATE SHIPPING WEIGHT WITH SPARES	- 620 lbs [281 kg]
APPROXIMATE CRATED SHIPPING DIMENSIONS	- LENGTH 125cm x WIDTH 92cm x HEIGHT 155cm



NOTE:
 - SPECIFICATIONS SUBJECT TO CHANGE WITHOUT NOTICE.
 - ALL PIPING TO CONCENTRATOR TO BE FLEXIBLE TO ALLOW FOR SLIGHT OSCILLATION OF UNIT DURING OPERATION.