



KNELSON GRAVITY SOLUTIONS

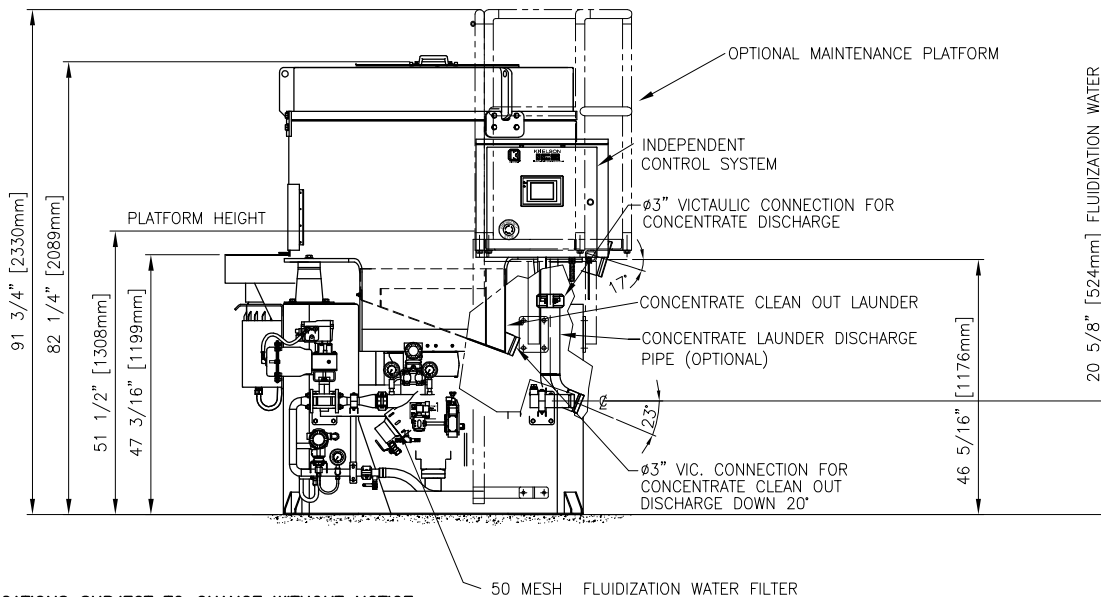
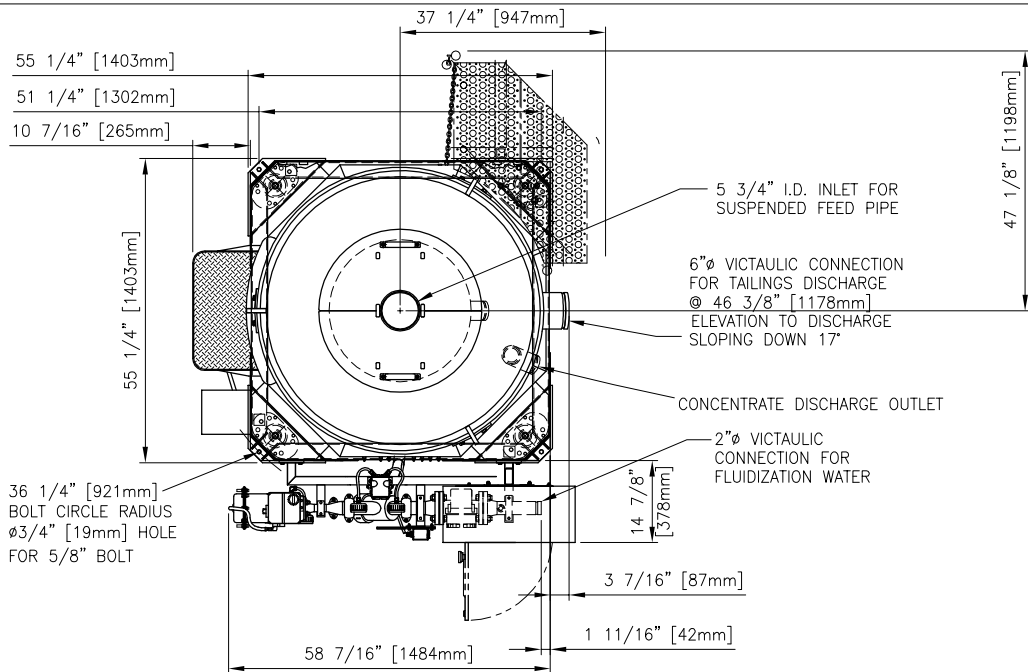
(A division of Knelson, a corporate partnership)
 19855-98 Avenue, Langley B.C. Canada, V1M 2X5
 Phone: (604)888-4015, Fax: (604)888-4013
 www.knelsongravitysolutions.com, e-Mail: knelson@knelson.com

DATE: SEPT 24, 2008

DWG. No. A02004L1

KNELSON CONCENTRATOR MODEL KC-CVD20 (1 RING) SPECIFICATION SHEET

- FEED CAPACITY (MAY VARY DEPENDING ON MATERIAL) - 17 - 39 tons/hr [15 - 35 tonne/hr] SOLIDS
 TYPICAL FLUIDIZATION WATER REQUIREMENT - 15 - 40 USgpm [3.4 - 9.1 m³/hr]
 MINIMUM AIRFLOW REQUIRED - 6.0ft³/min (10.2m³/hr)
 FEED DENSITY - 0 - 50% SOLIDS/WEIGHT
 FEED SIZE - MAX: 1/8" [3.2mm]; RECOMMENDED: MINUS 10 MESH [1.7mm]
 MAXIMUM TOTAL VOLUMETRIC THROUGHPUT - 330 USgpm [75 m³/hr]
 TYPICAL CONTINUOUS CONCENTRATE DISCHARGE - 1% - 50% OF FEED RATE (VARIABLE)
 OPERATING "G" FORCE - VARIABLE (30g - 90g)
 OPERATING SPEED - VARIABLE (325 - 563 RPM)
 CONCENTRATOR NET WEIGHT - 5512 lbs [2500 kg]
 H.P. - 15 (ELECTRIC) [11 kW]
 APPROXIMATE SHIPPING WEIGHT - 5500 lbs [2500 kg]
 APPROXIMATE SHIPPING WEIGHT WITH SPARES - 6320 lbs [2867 kg]
 APPROXIMATE CRATED SHIPPING DIMENSIONS - LENGTH 204cm x WIDTH 209cm x HEIGHT 220cm



NOTE:

- SPECIFICATIONS SUBJECT TO CHANGE WITHOUT NOTICE.
- ALL PIPING TO CONCENTRATOR TO BE FLEXIBLE TO ALLOW FOR SLIGHT OSCILLATION OF UNIT DURING OPERATION.
- MACHINE SHOWN WITH AUTOMATED PIPING.