



KNELSON GRAVITY SOLUTIONS

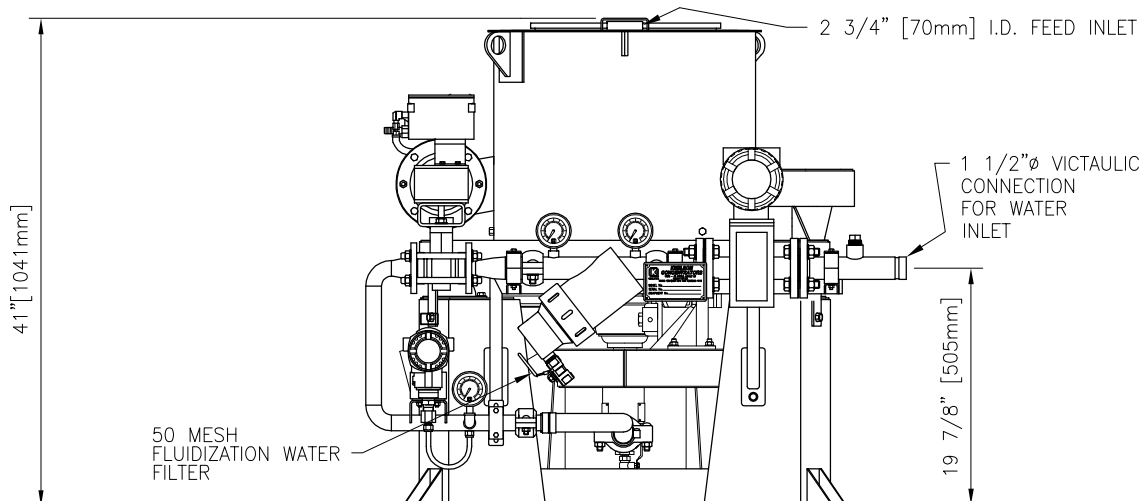
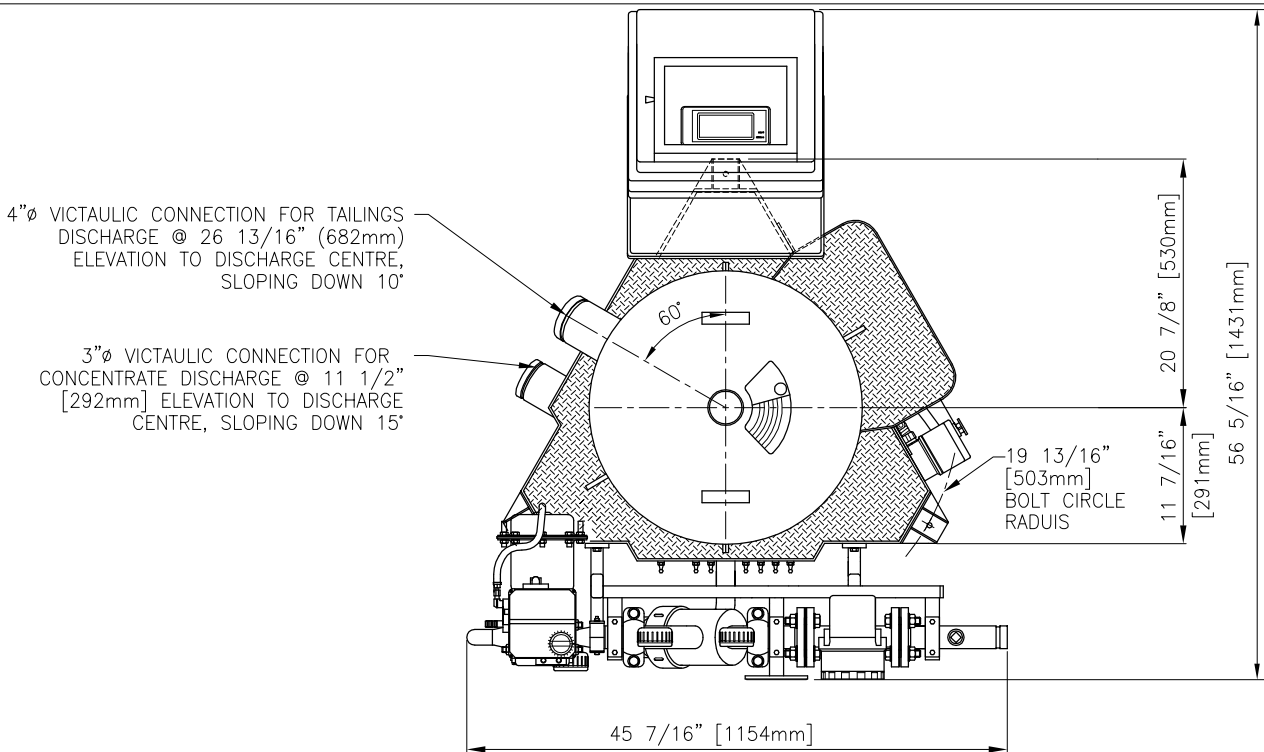
(A division of Knelson, a corporate partnership)
 19855-98 Avenue, Langley B.C. Canada, V1M 2X5
 Phone: (604)888-4015, Fax: (604)888-4013
 www.knelsongravitysolutions.com, e-Mail: knelson@knelson.com

DATE: SEPT 24, 2008

DWG. No. A01532G1

KNELSON CONCENTRATOR MODEL KC-CD12[MS] SPECIFICATION SHEET

- FEED CAPACITY (MAY VARY DEPENDING ON MATERIAL) - 6.6 - 22 tons/hr [6 - 20 tonnes/hr] SOLIDS
- TYPICAL FLUIDIZATION WATER REQUIREMENT - 18 - 25 USgpm [4.1 - 5.7m³/hr]
- MINIMUM AIRFLOW REQUIRED (AUTO. PIPING ONLY) - 3ft³/min (5.1m³/hr)
- FEED DENSITY - 0 - 75% SOLIDS/WEIGHT
- MAXIMUM TOTAL VOLUMETRIC THROUGHPUT - 120 USgpm [27m³/hr]
- FEED SIZE - MAX: 1/4" [6mm]; RECOMMEND: 10 MESH [1.7mm] MINUS
- TYPICAL CONCENTRATION CYCLE DURATION - HARD ROCK: 1/2 - 4 HOURS [PLACER: 4 - 12 HOURS]
- CONCENTRATE VOLUME - 95 in³ [1.6 L]
- CONCENTRATE WEIGHT - 6 - 10 lbs [2.5 - 4.5 kg]
- CONCENTRATOR NET WEIGHT - 580lbs [260 kg]
- H.P. - 2 - 3 (ELECTRIC) [1.5 - 2.3 kW]
- APPROXIMATE SHIPPING WEIGHT - 770 lbs [350 kg]
- APPROXIMATE SHIPPING WEIGHT WITH SPARES - 821 lbs [372 kg]
- APPROXIMATE CRATED SHIPPING DIMENSIONS - LENGTH 104cm x WIDTH 107cm x HEIGHT 117cm



NOTE:

- SPECIFICATIONS SUBJECT TO CHANGE WITHOUT NOTICE.
- ALL PIPING TO CONCENTRATOR TO BE FLEXIBLE TO ALLOW FOR SLIGHT OSCILLATION OF UNIT DURING OPERATION.
- MACHINE SHOWN WITH OPTIONAL AUTOMATED PIPING, MANUAL PIPING ALSO AVAILABLE.