



KNELSON GRAVITY SOLUTIONS

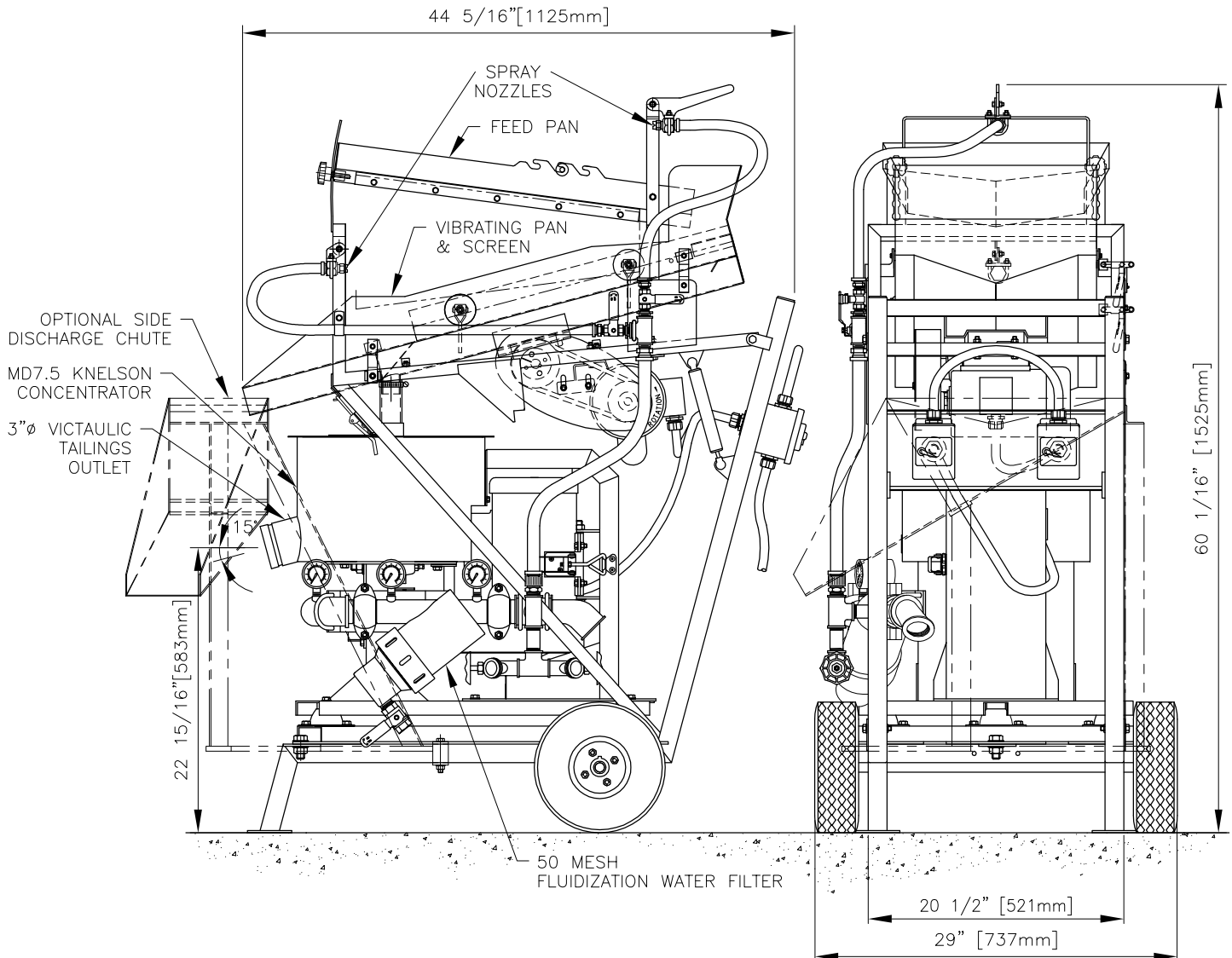
(A division of Knelson, a corporate partnership)
 19855-98 Avenue, Langley B.C. Canada, V1M 2X5
 Phone: (604)888-4015, Fax: (604)888-4013
 www.knelsongravitysolutions.com, e-Mail: knelson@knelson.com

DATE: MAY 3, 2007

DWG. No. A01528E1

KNELSON CONCENTRATOR MODEL KC-MD7.5 c/w VIBRATING SCREEN MODEL KC-VS7.5 SPECIFICATION SHEET

- FEED CAPACITY (MAY VARY DEPENDING ON MATERIAL) - 0 - 1500 lbs/hr [0 - 680 kg/hr] SOLIDS
- TYPICAL FLUIDIZATION WATER REQUIREMENT - 12 - 18 USgpm [45 - 68 Lpm]
- FEED DENSITY - 0 - 75% SOLIDS/WEIGHT
- MAXIMUM TOTAL VOLUMETRIC THROUGHPUT - 25 USgpm [95 Lpm]
- FEED SIZE - 3/16" [4.7mm] MINUS
- TYPICAL CONCENTRATION CYCLE DURATION - HARD ROCK: 2 - 6 HOURS [PLACER: 8 - 24 HOURS]
- CONCENTRATE VOLUME - 42 in³ [0.7 L]
- CONCENTRATE WEIGHT - 2.2 - 3.0 lbs [1.0 - 1.4 kg]
- CONCENTRATOR NET WEIGHT - 250 lbs [113 kg]
- VIBRATING SCREEN NET WEIGHT - 152 lbs [69 kg]
- CONCENTRATOR H.P. - 3/4 (ELECTRIC)
- VIBRATING SCREEN H.P. - 1/3 (ELECTRIC)
- APPROXIMATE SHIPPING WEIGHT - 596 lbs [271 kg]
- APPROXIMATE SHIPPING WEIGHT WITH SPARES - 620 lbs [281 kg]
- APPROXIMATE CRATED SHIPPING DIMENSIONS - LENGTH 125cm x WIDTH 92cm x HEIGHT 155cm



NOTE:

- SPECIFICATIONS SUBJECT TO CHANGE WITHOUT NOTICE.
- ALL PIPING TO CONCENTRATOR TO BE FLEXIBLE TO ALLOW FOR SLIGHT OSCILLATION OF UNIT DURING OPERATION.