



# KNELSON GRAVITY SOLUTIONS

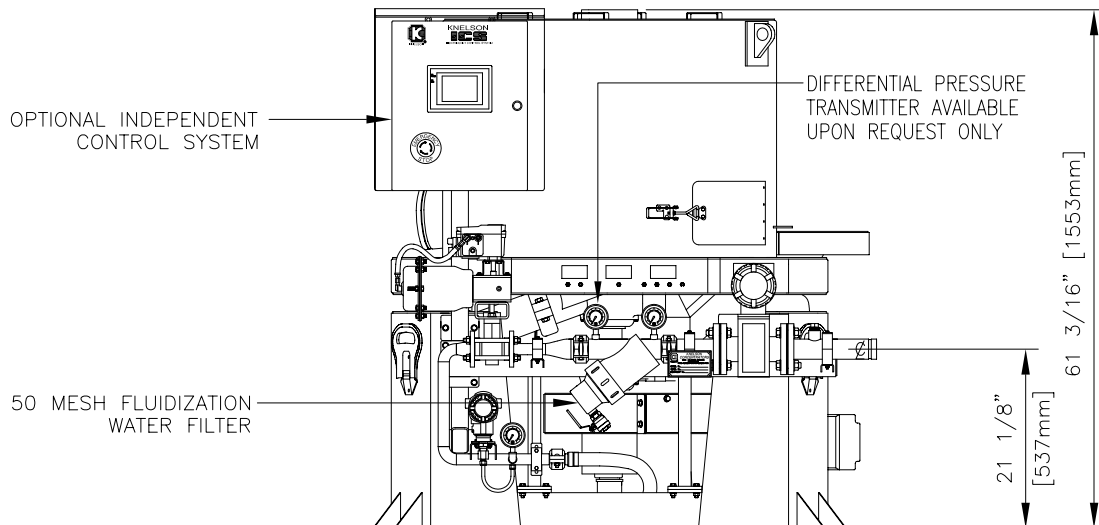
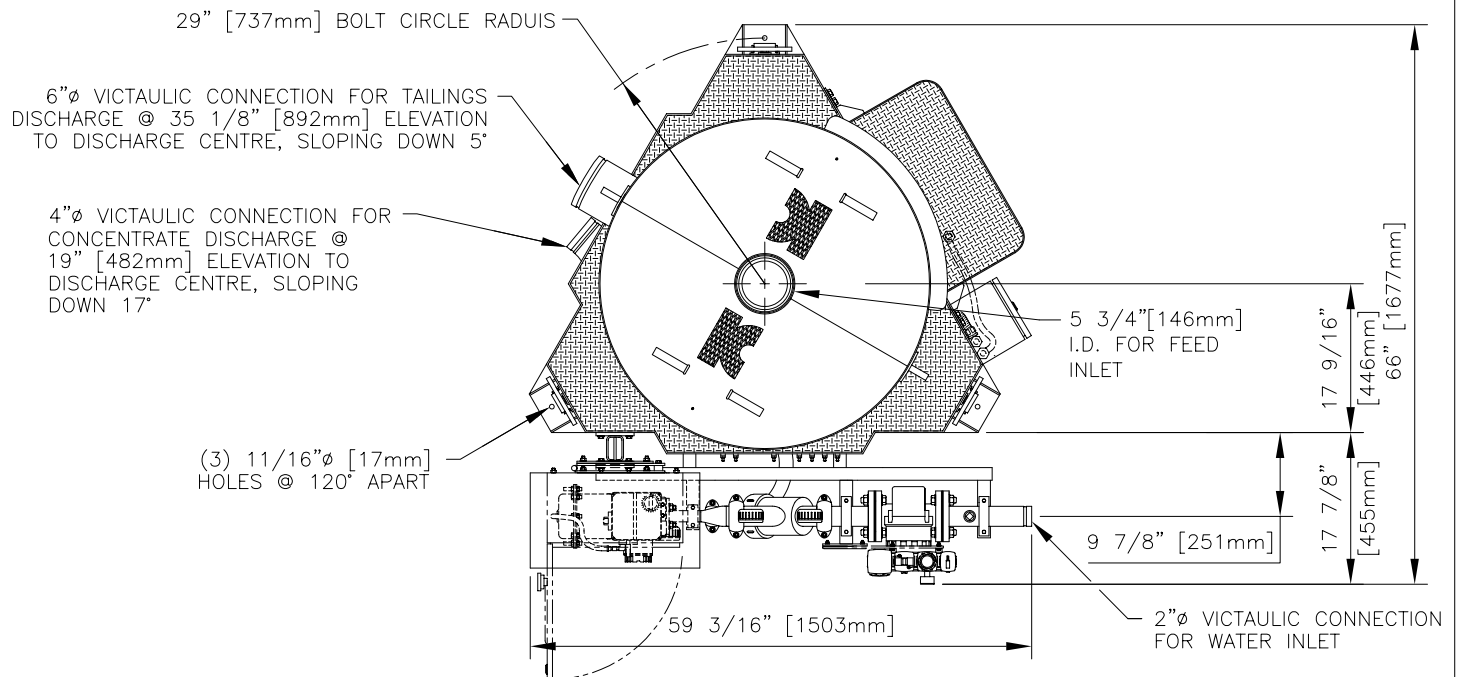
(A division of Knelson, a corporate partnership)  
 19855-98 Avenue, Langley B.C. Canada, V1M 2X5  
 Phone: (604)888-4015, Fax: (604)888-4013  
 www.knelsongravitysolutions.com, e-Mail: knelson@knelson.com

DATE: OCT 23, 2008

DWG. No. A01524H

## KNELSON CONCENTRATOR MODEL KC-CD20MS SPECIFICATION SHEET

- FEED CAPACITY (MAY VARY DEPENDING ON MATERIAL) - 17 - 88 tons/hr [15 - 80 tonnes/hr] SOLIDS
- TYPICAL FLUIDIZATION WATER REQUIREMENT - 35 - 60 USgpm [8 - 14 m<sup>3</sup>/hr]
- MINIMUM AIRFLOW REQUIRED (AUTO PIPING ONLY) - 3ft<sup>3</sup>/min (5.1m<sup>3</sup>/hr)
- FEED DENSITY - 0 - 75% SOLIDS/WEIGHT
- MAXIMUM TOTAL VOLUMETRIC THROUGHPUT - 485 USgpm [110 m<sup>3</sup>/hr]
- FEED SIZE - MAX: 1/4" [6mm]; RECOMMEND: 10 MESH [1.7mm] MINUS
- TYPICAL CONCENTRATION CYCLE DURATION - HARD ROCK: 1/2 - 4 HOURS [PLACER: 4 - 12 HOURS]
- TYPICAL FLUSH CYCLE DURATION - 1 - 2 MINUTES
- CONCENTRATE VOLUME - 300 in<sup>3</sup> [5 L]
- CONCENTRATE WEIGHT - 15 - 22 lbs [7 - 10 kg]
- CONCENTRATOR NET WEIGHT - 2000 lbs [900 kg]
- H.P. - 7.5 - 10.0 (ELECTRIC) [5.5 - 7.5 kW]
- APPROXIMATE SHIPPING WEIGHT - 2485 lbs [1127 kg]
- APPROXIMATE SHIPPING WEIGHT WITH SPARES - 2644 lbs [1200 kg]
- APPROXIMATE CRATED SHIPPING DIMENSIONS - LENGTH 170cm x WIDTH 173cm x HEIGHT 165cm



**NOTE:**

- SPECIFICATIONS SUBJECT TO CHANGE WITHOUT NOTICE.
- ALL PIPING TO CONCENTRATOR TO BE FLEXIBLE TO ALLOW FOR SLIGHT OSCILLATION OF UNIT DURING OPERATION.
- MACHINE SHOWN WITH OPTIONAL AUTOMATED PIPING, MANUAL PIPING ALSO AVAILABLE