



# KNELSON GRAVITY SOLUTIONS

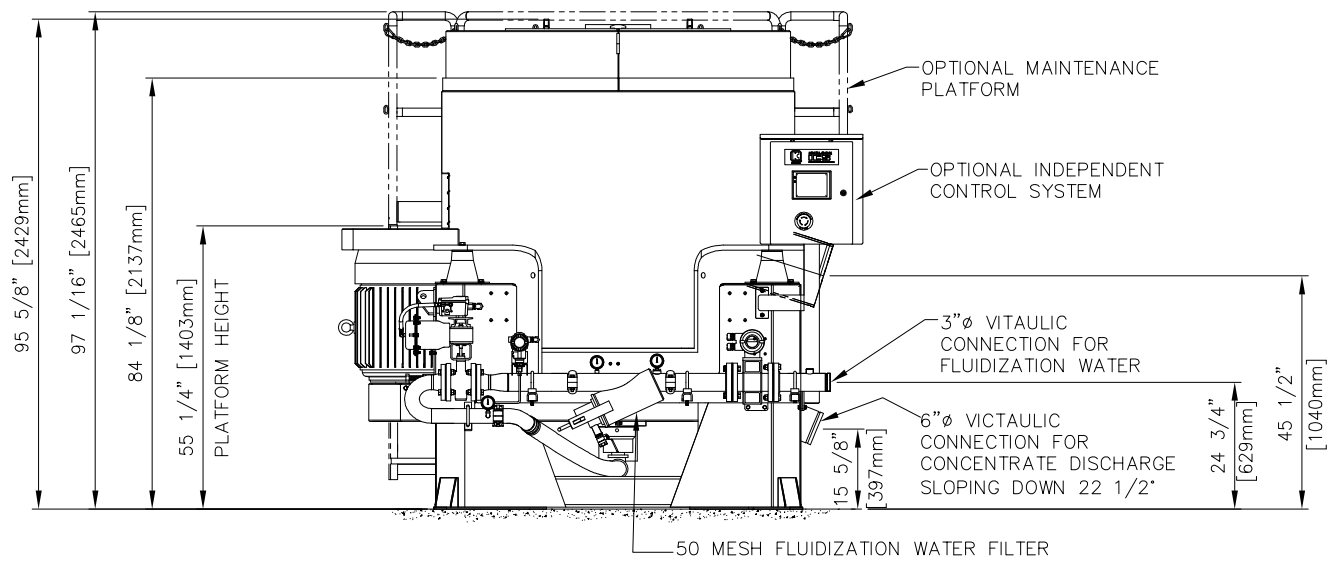
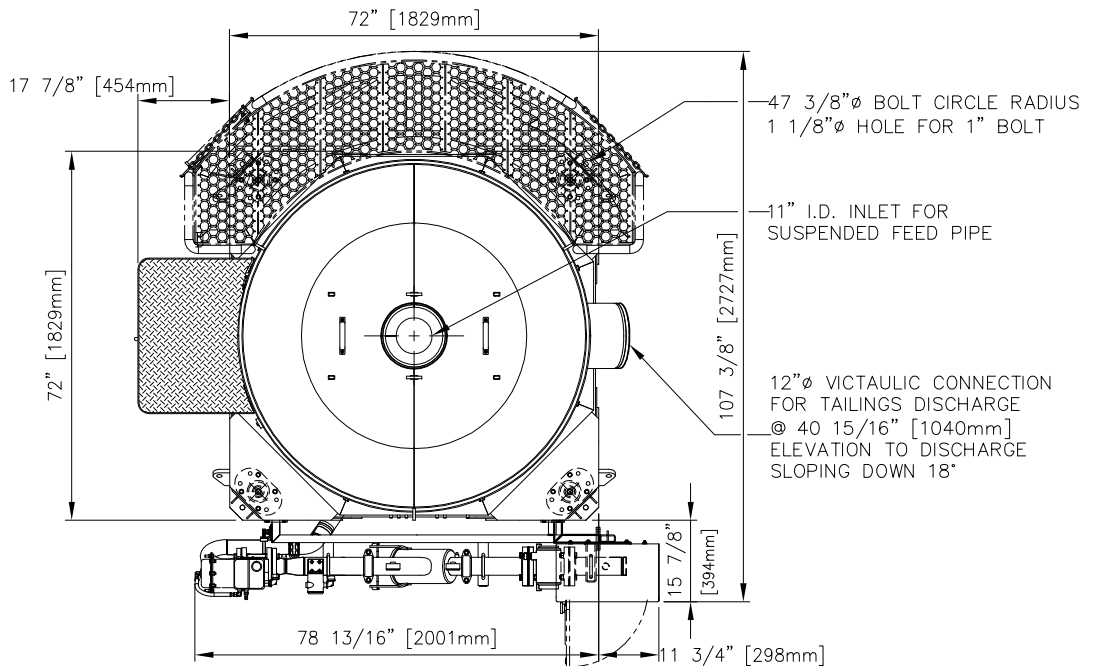
(A division of Knelson, a corporate partnership)  
 19855-98 Avenue, Langley B.C. Canada, V1M 2X5  
 Phone: (604)888-4015, Fax: (604)888-4013  
 www.knelsongravitysolutions.com, e-Mail: knelson@knelson.com

DATE: SEPT 24, 2008

DWG. No. 04612B

## KNELSON CONCENTRATOR MODEL KC-XD40VG SPECIFICATION SHEET

- FEED CAPACITY (MAY VARY DEPENDING ON MATERIAL) - 138 - 275 tons/hr [125-250 tonnes/hr] SOLIDS
- TYPICAL FLUIDIZATION WATER REQUIREMENT - 120 - 200 USgpm [27 - 45 m<sup>3</sup>/hr]
- MINIMUM AIRFLOW REQUIRED (AUTO PIPING ONLY) - 3ft<sup>3</sup>/min (5.1m<sup>3</sup>/hr)
- FEED DENSITY - 0 - 75% SOLIDS/WEIGHT
- MAXIMUM TOTAL VOLUMETRIC THROUGHPUT - 1500 USgpm [340 m<sup>3</sup>/hr]
- FEED SIZE - MAX: 1/4" [6mm]; RECOMMENDED: MINUS 10 MESH [1.7mm]
- TYPICAL CONCENTRATION CYCLE DURATION - HARD ROCK: 1/2 - 4 HOURS [PLACER: 4 - 12 HOURS]
- TYPICAL FLUSH CYCLE DURATION - 1 - 2 MINUTES
- CONCENTRATE VOLUME - 1000 in<sup>3</sup> [17 L]
- CONCENTRATE WEIGHT - 85 - 125 lbs [38 - 56 kg]
- CONCENTRATOR NET WEIGHT - 9400 lbs [4270 kg] (NOT INCLUDING PIPING)
- H.P. - 40 - 75 (ELECTRIC) [30 - 56 kW]
- APPROXIMATE SHIPPING WEIGHT - 9700 lbs [4400 kg]
- APPROXIMATE SHIPPING WEIGHT WITH SPARES - 10000 lbs [4550 kg]
- APPROXIMATE CRATED SHIPPING DIMENSIONS - LENGTH 244cm x WIDTH 220cm x HEIGHT 280cm



**NOTE:**

- SPECIFICATIONS SUBJECT TO CHANGE WITHOUT NOTICE.
- ALL PIPING TO CONCENTRATOR TO BE FLEXIBLE TO ALLOW FOR SLIGHT OSCILLATION OF UNIT DURING OPERATION.
- MACHINE SHOWN WITH OPTIONAL AUTOMATED PIPING, MANUAL PIPING ALSO AVAILABLE