



KNELSON GRAVITY SOLUTIONS

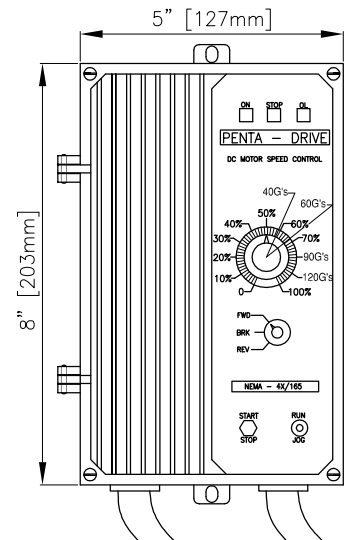
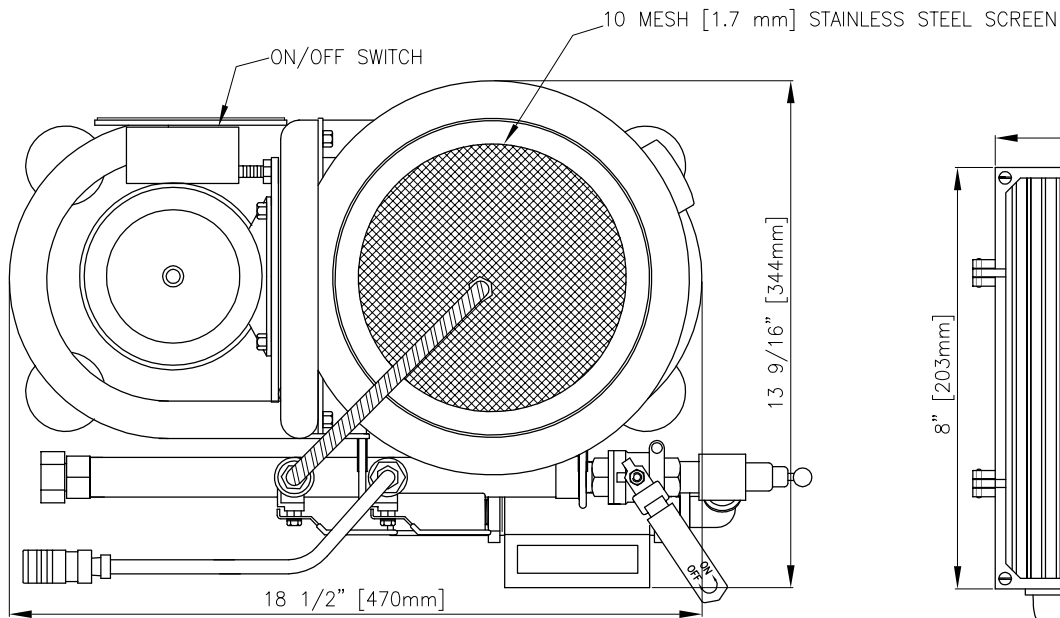
(A division of Knelson, a corporate partnership)
 19855-98 Avenue, Langley B.C. Canada, V1M 2X5
 Phone: (604)888-4015, Fax: (604)888-4013
 www.knelsongravitysolutions.com, e-Mail: knelson@knelson.com

DATE: SEPT 24 2008

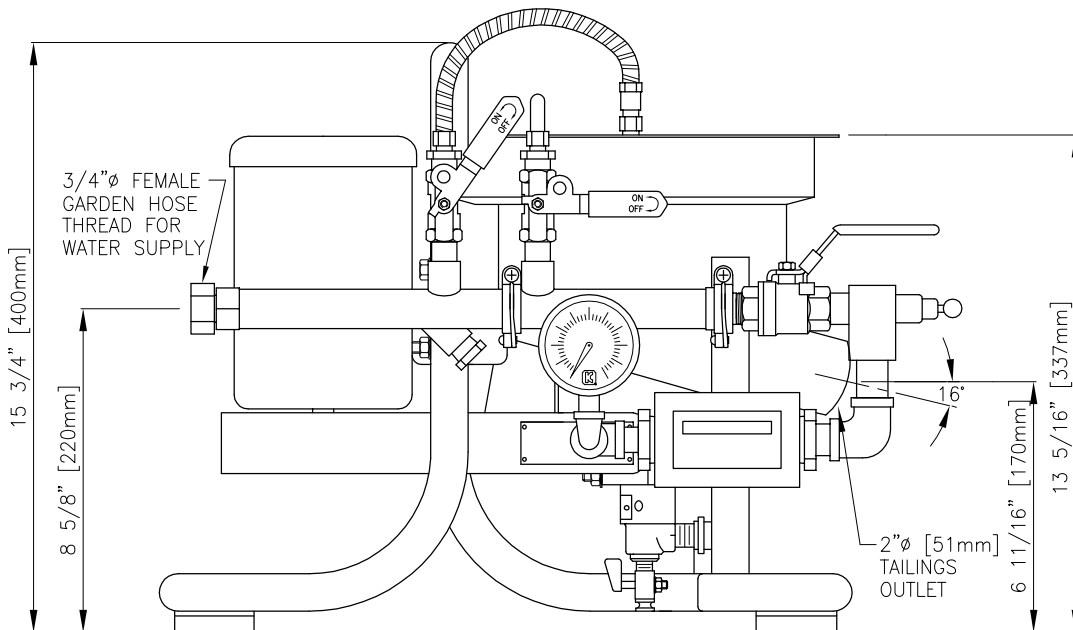
DWG. No. 04201A

KNELSON CONCENTRATOR MODEL KC-MD3-G4 CONE VARIABLE GRAVITY (VG) KIT LABORATORY MODEL

- FEED CAPACITY (MAY VARY DEPENDING ON MATERIAL) - 0 - 100 lbs/hr [0 - 45 kg/hr] SOLIDS
- TYPICAL FLUIDIZATION WATER REQUIREMENT - 0.2 - 1.1 USgpm [0.7 - 4.5 Lpm]
- FEED DENSITY - 0 - 75% SOLIDS/WEIGHT
- MAXIMUM TOTAL VOLUMETRIC THROUGHPUT - 2 USgpm [8Lpm]
- FEED SIZE - MINUS 10 MESH [1.7mm]
- CONCENTRATE VOLUME - 3.5 in³ [58 ml]
- CONCENTRATE WEIGHT - 0.18 - 0.33 lbs [80 - 150g]
- CONCENTRATOR NET WEIGHT - 61 lbs [28 kg] (INCLUDING DC DRIVE)
- H.P. - 1/4 (ELECTRIC)
- APPROXIMATE SHIPPING WEIGHT - 95 lbs [42.75 kg]
- APPROXIMATE SHIPPING WEIGHT WITH SPARES - 99 lbs [45 kg]
- APPROXIMATE CRATED SHIPPING DIMENSIONS - LENGTH 51cm x WIDTH 65cm x HEIGHT 53cm
- NEMA 4X DC CONTROL - 115/230 VAC, SINGLE PHASE 50/60Hz.
- OPERATING "G" FORCE - VARIABLE (40-120g)

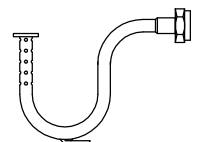


VARIABLE SPEED DRIVE
 NEMA 4X DC SCR CONTROL
 NOT TO SCALE
 WEIGHT - 5.0 lbs



NOTE:

- SPECIFICATIONS SUBJECT TO CHANGE WITHOUT NOTICE.
- ALL PIPING TO CONCENTRATOR TO BE FLEXIBLE TO ALLOW FOR SLIGHT OSCILLATION OF UNIT DURING OPERATION.



CONCENTRATE
 CLEAN-OUT
 WAND SUPPLIED