



KNELSON GRAVITY SOLUTIONS

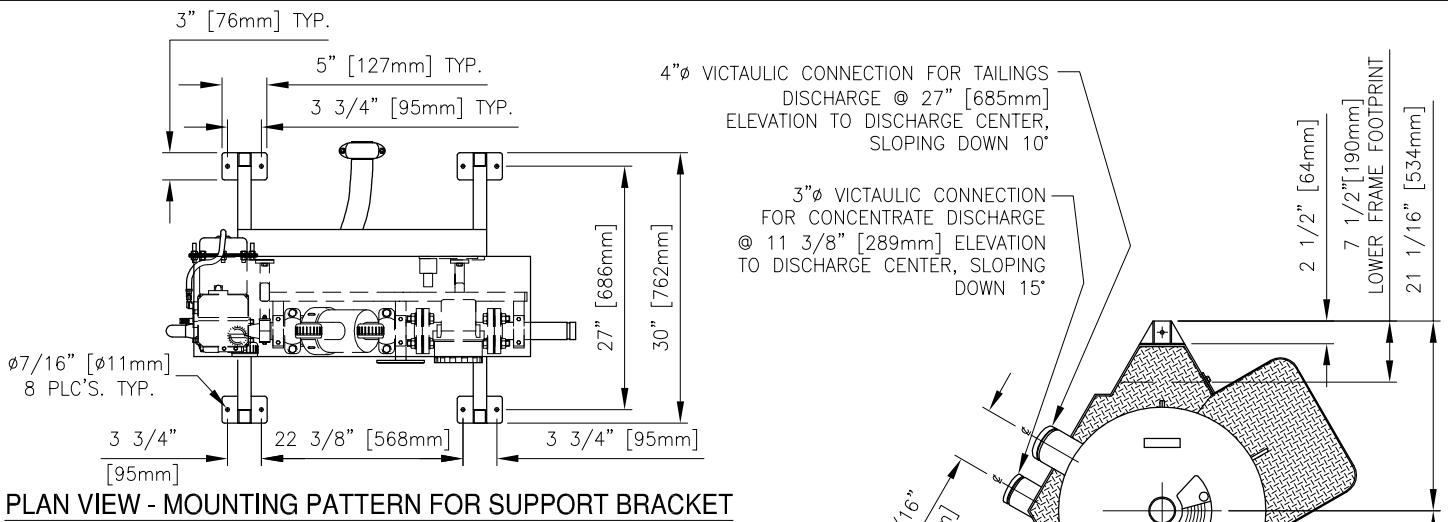
(A division of Knelson, a corporate partnership)
 19855-98 Avenue, Langley B.C. Canada, V1M 2X5
 Phone: (604)888-4015, Fax: (604)888-4013
 www.knelsongravitysolutions.com, e-Mail: knelson@knelson.com

DATE: SEPT 24, 2008

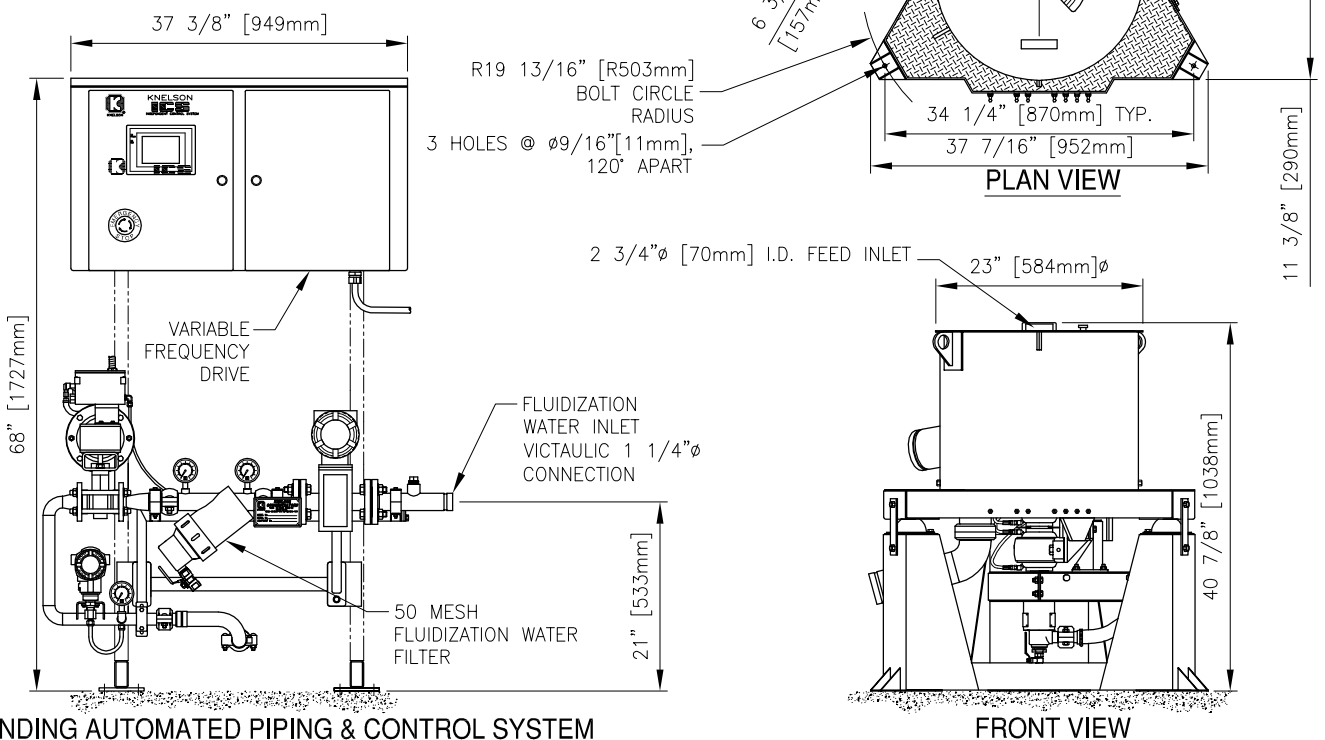
DWG. No. 03548C1

KNELSON CONCENTRATOR MODEL KC-CD12[MS]VG SPECIFICATION SHEET

- | | |
|--|---|
| FEED CAPACITY (MAY VARY DEPENDING ON MATERIAL) | - 6.6 - 22 tons/hr [6 - 20 tonnes/hr] SOLIDS |
| TYPICAL FLUIDIZATION WATER REQUIREMENT | - 18 - 25 USgpm [4.1 - 5.7m ³ /hr] |
| MINIMUM AIRFLOW REQUIRED (AUTO PIPING ONLY) | - 3ft ³ /min (5.1m ³ /hr) |
| FEED DENSITY | - 0 - 75% SOLIDS/WEIGHT |
| MAXIMUM TOTAL VOLUMETRIC THROUGHPUT | - 120 USgpm [27m ³ /hr] |
| FEED SIZE | - MAX: 1/4" [6mm]; RECOMMEND: 10 MESH [1.7mm] MINUS |
| TYPICAL CONCENTRATION CYCLE DURATION | - HARD ROCK: 1/2 - 4 HOURS [PLACER: 4 - 12 HOURS] |
| CONCENTRATE VOLUME | - 95 in [1.6 L] |
| CONCENTRATE WEIGHT | - 6 - 10 lbs [2.5 - 4.5 kg] |
| CONCENTRATOR NET WEIGHT | - 730lbs [332 kg] |
| H.P. | - 3 - 5 (ELECTRIC) [2.3 - 3.8kW] |
| APPROXIMATE SHIPPING WEIGHT | - 950 lbs [430 kg] |
| APPROXIMATE SHIPPING WEIGHT WITH SPARES | - 1000 lbs [454 kg] |
| APPROXIMATE CRATED SHIPPING DIMENSIONS | - LENGTH 150cm x WIDTH 107cm x HEIGHT 180cm |



PLAN VIEW - MOUNTING PATTERN FOR SUPPORT BRACKET



FREESTANDING AUTOMATED PIPING & CONTROL SYSTEM

FRONT VIEW

NOTE:

- SPECIFICATIONS SUBJECT TO CHANGE WITHOUT NOTICE.
- ALL PIPING TO CONCENTRATOR TO BE FLEXIBLE TO ALLOW FOR SLIGHT OSCILLATION OF UNIT DURING OPERATION.
- MACHINE SHOWN WITH OPTIONAL FREESTANDING AUTOMATED PIPING, MANUAL PIPING ALSO AVAILABLE.